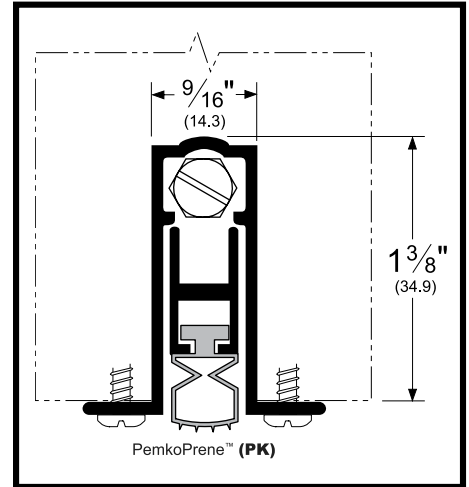


DOOR BOTTOM

Automatic, Non-Handed, Reversible



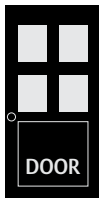
About Door Bottom Seals:

Pemko Door Bottom Seals consist of a variety of solutions for sealing a door to the threshold or floor surface.

About Automatic Door Bottoms:

Pemko automatic door bottoms consist of an aluminum case which surrounds a movable drop bar seal. The drop bar seal is actuated by a plunger which contacts the jamb as the door is closing, forcing the drop bar seal down against the floor or threshold.

- Low closing force.
- Provide excellent seals to keep out draft, dust, moisture, insects, fumes, light and sound.
- End plates provided for all mounting applications.
- Slotted holes for adjustment.



↑
Seals
Bottom
of Door

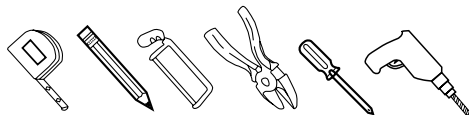
Product / Available Finishes:

411APKL Mill Finish Aluminum with Black PemkoPrene™ insert

Testing/Ratings:



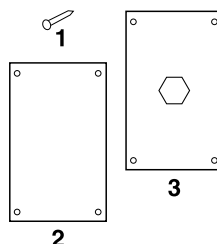
Tools Required:



Parts Included in End Cap Kit:

PARTS INCLUDED IN END PLATE KIT:

NUMBER	DESCRIPTION	QUANTITY
1	Fasteners	8
2	End Cap	1
3	Plunger End Cap	1



Installation Instructions:

1. Cut mortise in bottom of door.

NOTE: If a door is fire labeled or of special construction, mortise preparation must be done by the door manufacturer.

2. Cut from end opposite actuating plunger only.
3. Field sizing:
 - a) ADBs less than 24" CANNOT be cut down
 - b) ADBs 24" or greater can be cut a maximum of 2"
4. When cutting, be sure that the drop bar is flush with the case on the plunger side and that the gasketing insert projects at least 1/8".
5. Cut to door width, adjust gasket so that it projects at least 1/16" at each end.
6. Adjust and trim the gasketing insert so that it projects at least 1/16" at each end of the drop bar and case.
7. With door removed from opening, install the door bottom with plunger at the hinge side, fasten with screws provided, install door in opening.
8. On wooden jambs, install the No. 10 x 1/2" flat head screw at the point where the plunger contacts the jamb to prevent indenting.
9. Screw the actuating plunger in or out as required until the gasketing just touches the sealing surface when the door is closed.
10. It is not necessary to squash the gasket to provide an effective seal. Further adjustment may be necessary for uneven sealing surfaces.

End Plate Installation Instructions:

PLEASE READ THESE INSTRUCTIONS THOROUGHLY BEFORE ATTEMPTING TO INSTALL END PLATES.

1. The automatic door bottom must be correctly installed and adjusted in accordance with the installation instructions furnished with this product (see above).
2. Be sure that the drop bar (part that contains the seal) does not project beyond the end of the case when the actuation plunger is depressed. If it does project beyond the case, it was improperly trimmed in the field. This condition can be corrected by removing the unit and trimming the excess.

NOTE: Under no condition should the insert project beyond the edge of the case.

3. Install the flat end cover plate on the lock edge of the door with the fasteners provided, and in the location shown (Figure 1).

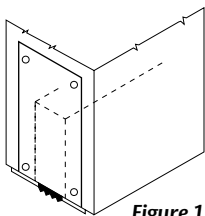


Figure 1